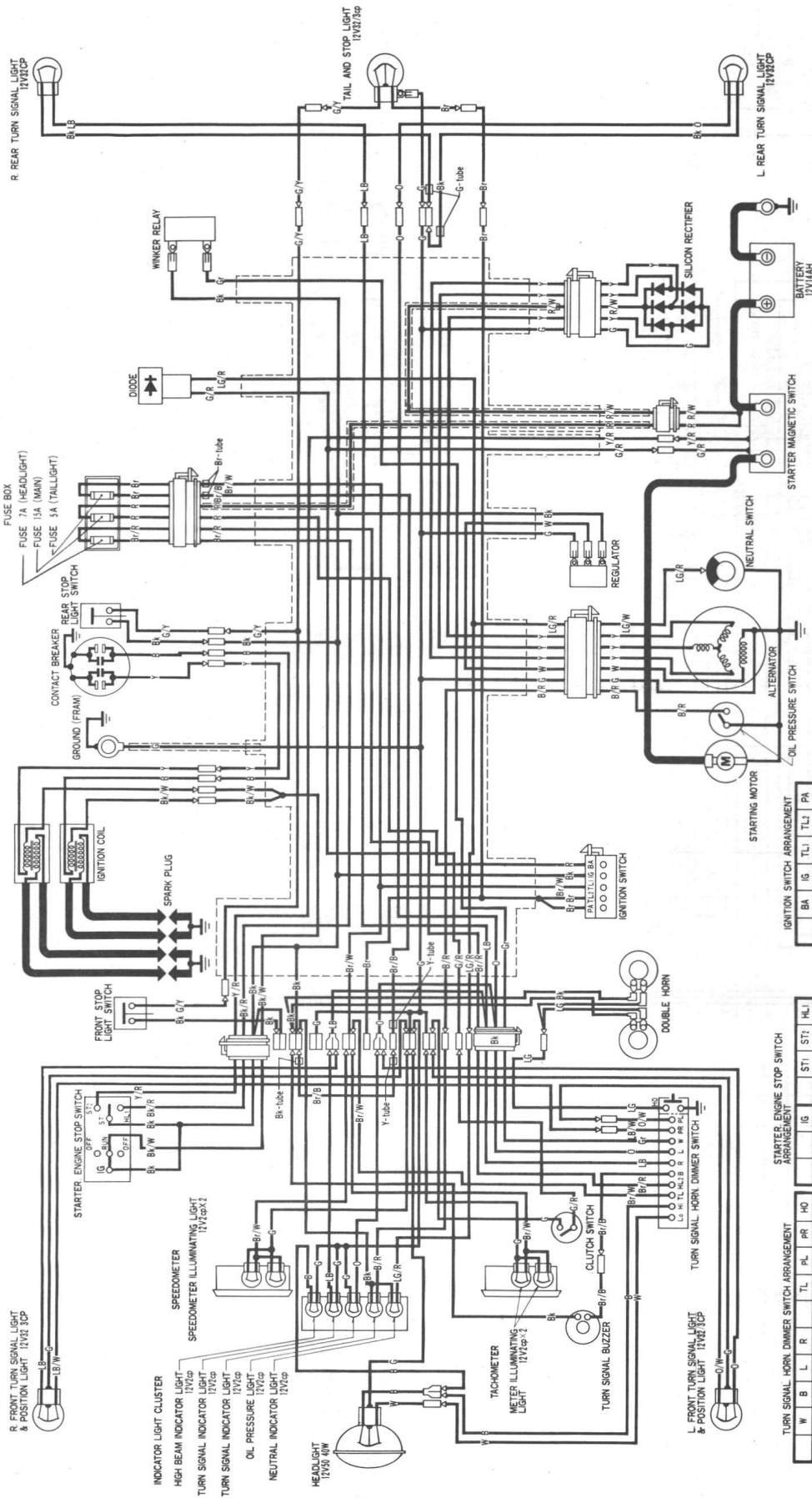


WIRING DIAGRAM CB750F



- Y Yellow
- B Blue
- Bk Black
- W White
- LG Light Green
- R Red
- G Green
- LB Light Blue
- O Orange
- P Pink

IGNITION SWITCH ARRANGEMENT

| | | | | | |
|-------|----|----|----|----|----|
| OFF | BA | IG | TL | TL | PA |
| ON I | | | | | |
| ON II | | | | | |
| color | R | Bk | Bk | Bk | Br |

STARTER ENGINE STOP SWITCH ARRANGEMENT

| | | | | |
|-------|----|----|----|----|
| OFF | IG | ST | ST | HL |
| RUN | | | | |
| OFF | | | | |
| color | Bk | Bk | Bk | Bk |

TURN SIGNAL HORN DIMMER SWITCH ARRANGEMENT

| | | | | | | | |
|-------|----|------|---|----|------|-----|------|
| W | B | L | R | TL | PL | PR | HO |
| L1 | | | | | | | |
| L1 | | | | | | | |
| N | | | | | | | |
| R1 | | | | | | | |
| R2 | | | | | | | |
| color | Gr | Bk/B | O | LB | Br/W | O/W | LB/W |

| | | |
|-------|------|----|
| HL1 | HL | Lo |
| H | | |
| (N) | | |
| L | C | B |
| color | Br/R | B |